

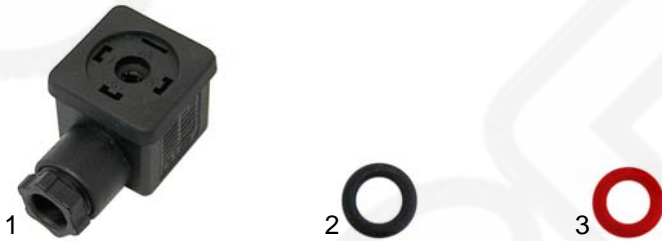
Magnetventile/Solenoid valves

Scem/Parker



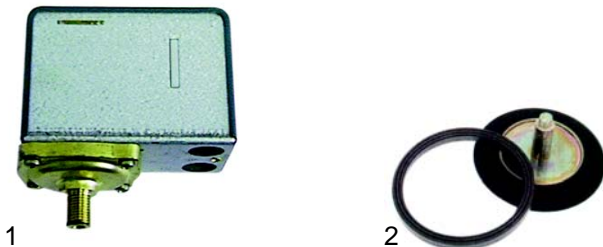
| Abb. Pict. | Bestell-Nr. Order-No. | Beschreibung Description |
|------------|-----------------------|--|
| 1 | 370212 | kpl., 1/8", 3 Wege, 230V cpl., 1/8", 3 Wege, 230V |
| 2 | 370067 | kpl., 1/4", 2 Wege, 230V cpl., 1/4", 2 Wege, 230V |
| 2 | 370206 | kpl., 1/8", 2 Wege, 230V cpl., 1/8", 2 Wege, 230V |
| 3 | 371029 | Magnetspule, 230V Magnetic coil, 230V |

Zubehör/Accessories



| Abb. Pict. | Bestell-Nr. Order-No. | Beschreibung Description |
|------------|-----------------------|--------------------------------------|
| 1 | 371090 | Stecker Plug |
| 2 | 371095 | O-Ring (Viton) O-ring (viton) |
| 2 | 371100 | O-Ring (Silikon) O-ring (silicon) |

Pressostate/Pressure switches



| Abb. Pict. | Bestell-Nr. Order-No. | Beschreibung Description |
|------------|-----------------------|-------------------------------|
| 1 | 541021 | Pressostat Pressure switch |
| 2 | 520139 | Membrane Membrans |

Thermostate/Thermostats



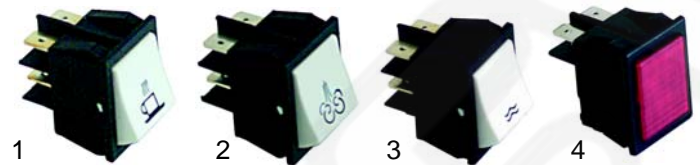
| Abb. Pict. | Bestell-Nr. Order-No. | Beschreibung Description |
|------------|-----------------------|---|
| 1 | 390367 | Anlegethermostat, 130°C, 2-polig Stoke thermostat, 130°C, 2 poles |
| 2 | 390368 | Boiler-Thermostat, +40 – +150°C, 1-polig Boiler-Thermostat, +40 – +150°C, 1 pole |

Schalter/Switches



| Abb. Pict. | Bestell-Nr. Order-No. | Beschreibung Description |
|------------|-----------------------|------------------------------|
| 1 | 346079 | Hauptschalter Main switch |
| 2 | 111012 | Knebel Knob |
| 3 | 345044 | Mikroschalter Microswitch |

Schalter/Switches



| Abb. Pict. | Bestell-Nr. Order-No. | Beschreibung Description |
|------------|-----------------------|------------------------------------|
| 1 | 346081 | Schalter/Kaffee Switches/coffee |
| 2 | 346082 | Taster/Dampf Push button/steam |
| 3 | 346083 | Taster/Wasser Push button/water |
| 4 | 359155 | Signallampe/rot Signal lamp/red |

Niveauregler/Level controller



1

| Abb. Pict. | Bestell-Nr. Order-No. | Beschreibung Description |
|------------|-----------------------|--|
| 1 | 400019 | Niveauregler (RL30/1E-2C/F) Level controller (RL30/1E-2C/F) |

Flowmeter/Flowmeter



1

2

3

4

| Abb. Pict. | Bestell-Nr. Order-No. | Beschreibung Description |
|------------|-----------------------|------------------------------------|
| 1 | 400222 | Flowmeter, 1/4" Flowmeter, 1/4" |
| 2 | 400256 | Stecker Plug |
| 3 | 400257 | Zählrad Flowmeter reel |
| 4 | 400258 | Gehäusedichtung Case gasket |

Tastaturen/Key push buttons



1

2

| Abb. Pict. | Bestell-Nr. Order-No. | Beschreibung Description |
|------------|-----------------------|--|
| 1 | 400452 | Tastatur mit Tee-Taste Key push button with Tea-push button |
| 2 | 400453 | Tastatur (Alt) Key push button (old) |

Heizkörper/Heaters



1

2

3

4

| Abb. Pict. | Bestell-Nr. Order-No. | Beschreibung Description |
|------------|-----------------------|---|
| 1 | 417045 | 1 Gruppe, 1 1/4", L=160mm), 1500W, 230V 1 group, 1 1/4", L=160mm), 1500W, 230V |
| 2 | 417080 | 2 Gruppen, 1 1/4", L=240mm, 2500W, 230V 2 groups, 1 1/4", L=240mm, 2500W, 230V |
| 3 | 417125 | 2 Gruppen, 1 1/4", L=290mm, 1500W, 230V 2 groups, 1 1/4", L=290mm, 1500W, 230V |
| 4 | 417126 | 1 Gruppe, L=200mm, 1300W, 230V 1 group, L=200mm, 1300W, 230V |



1

2

3

4

| Abb. Pict. | Bestell-Nr. Order-No. | Beschreibung Description |
|------------|-----------------------|---|
| 1 | 417127 | 2 Gruppen, 1 1/4" (L=20mm), 1400W, 230V 2 groups, 1 1/4" (L=20mm), 1400W, 230V |
| 2 | 417047 | 2 Gruppen, 1 1/4" (L=410mm), 3000W, 230V/400V 2 groups, 1 1/4" (L=410mm), 3000W, 230V/400V |
| 3 | 417128 | 3/4 Gruppen, 1 1/4" (L=500mm), 4000W, 230V 3/4 groups, 1 1/4" (L=500mm), 4000W, 230V/ |
| 4 | 417129 | 3 Gruppen, 1 1/4" (L=600mm), 1600W, 230V 3 groups, 1 1/4" (L=600mm), 1600W, 230V |



1

2

| Abb. Pict. | Bestell-Nr. Order-No. | Beschreibung Description |
|------------|-----------------------|--|
| 1 | 528022 | Dichtung, 1 1/4" (Teflon) Gasket, 1 1/4" (teflon) |
| 2 | 528789 | Kesseldichtung, 5 Löcher Pot gasket, 5 holes |

Passend für/Suitable for Marzocco 1

Manometer/Manometer



| Pos. Item | Bestell-Nr. Order-No. | Beschreibung Description |
|--------------|--------------------------|---|
| 1 | 541285 | Manometer/Doppelskala Manometer/double scale |

Ventile/Valves

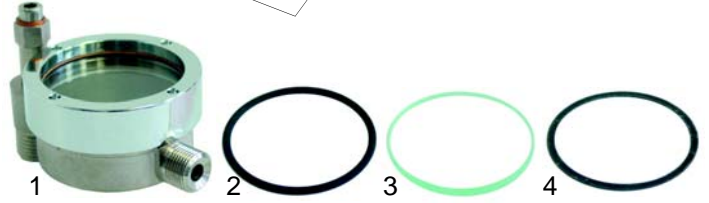
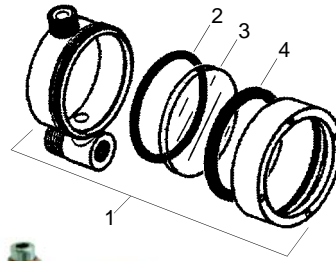


| Abb. Pict. | Bestell-Nr. Order-No. | Beschreibung Description |
|---------------|--------------------------|---|
| 1 | 529312 | Sicherheitsventil, 1,8bar, 3/8" Safety valve, 1,8bar, 3/8" |
| 2 | 529316 | Sicherheitsventil/plombiert, 1,8bar, 3/8" Safety valv/sealed, 1,8bar, 3/8" |
| 3 | 529303 | Entlüftungsventil (CNS), 1/4" Empty valve (stainless steel), 1/4" |
| 4 | 529304 | Entlüftungsventil, 1/4" Empty valve, 1/4" |
| 5 | 529361 | Cu-Dichtung, 1/4" Cu-gasket, 1/4" |
| 6 | 529349 | Cu-Dichtung, 3/8" Cu-gasket, 3/8" |



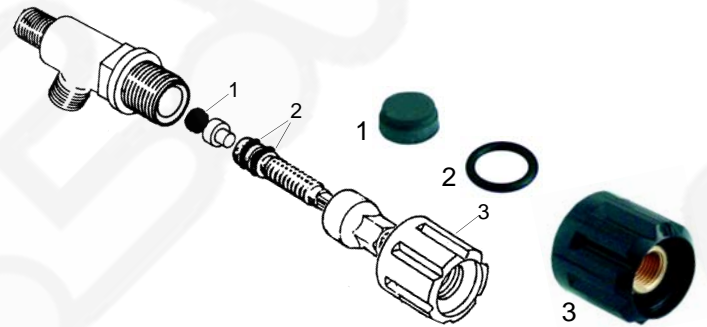
| Abb. Pict. | Bestell-Nr. Order-No. | Beschreibung Description |
|---------------|--------------------------|-------------------------------------|
| 1 | 528790 | Rückschlagventil Retention valve |
| 2 | 528791 | Expansionsventil Expansion valve |

Wasserstandsglas/Level glass

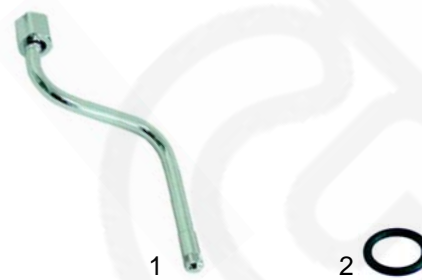


| Abb. Pict. | Bestell-Nr. Order-No. | Beschreibung Description |
|---------------|--------------------------|---|
| 1 | 528792 | Wasserstandsglas/kpl. Level glass/cpl. |
| 2 | 528793 | O-Ring O-ring |
| 3 | 528794 | Wasserstandsglas Level glass |
| 4 | 528795 | Dichtung Gasket |

Hähne/Tabs

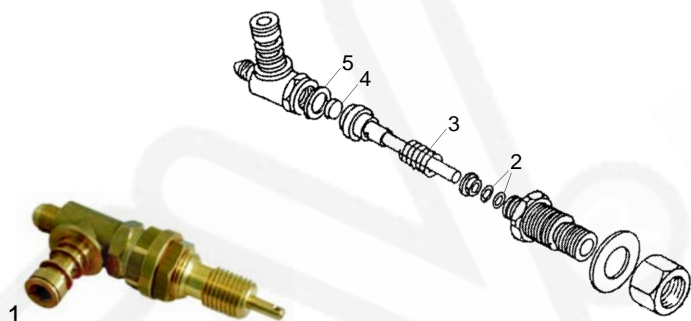


| Abb. Pict. | Bestell-Nr. Order-No. | Beschreibung Description |
|---------------|--------------------------|-----------------------------|
| 1 | 528796 | Dichtung Gasket |
| 2 | 528797 | O-Ring O-ring |
| 3 | 111013 | Knebel Knob |



| Abb. Pict. | Bestell-Nr. Order-No. | Beschreibung Description |
|---------------|--------------------------|-----------------------------|
| 1 | 528798 | Dampfrohr Steam pipe |
| 2 | 528797 | O-ring O-ring |

Hähne/Taps



| Abb. Pict. | Bestell-Nr. Order-No. | Beschreibung Description |
|------------|-----------------------|--|
| 1 | 529500 | Dampf-, Wasserhahn/kpl., 1mm Steigung Steam-, watertap/cpl., 1mm gradient |



| Abb. Pict. | Bestell-Nr. Order-No. | Beschreibung Description |
|------------|-----------------------|--------------------------|
| 2 | 528485 | Dichtung Gasket |
| 3 | 528503 | Feder Spring |
| 4 | 528502 | Dichtung Gasket |
| 5 | 528501 | Cu-Dichtung Cu-gasket |

Rohre/Pipes



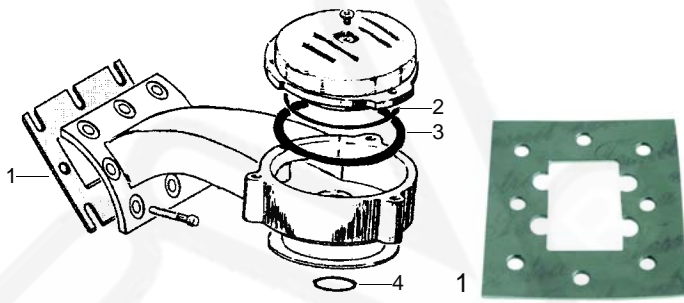
| Abb. Pict. | Bestell-Nr. Order-No. | Beschreibung Description |
|------------|-----------------------|----------------------------------|
| 1 | 529506 | Dampfrohr Steam pipe |
| 2 | 528504 | O-Ring O-ring |
| 3 | 529701 | Feder Spring |
| 4 | 529703 | Scheibe Washer |
| 5 | 529702 | Seegering Seeger circlip ring |

Knebel/Knobs



| Abb. Pict. | Bestell-Nr. Order-No. | Beschreibung Description |
|------------|-----------------------|---|
| 1 | 111006 | Knebel, 2mm Steigung Knob, 2mm gradience |
| 2 | 111007 | Knebel, 1mm Steigung Knob, 1mm gradience |
| 3 | 111008 | Symbol/Wasser Symbol/water |
| 4 | 111009 | Symbol/Dampf Symbol/steam |

Gruppe/Group



| Abb. Pict. | Bestell-Nr. Order-No. | Beschreibung Description |
|------------|-----------------------|---------------------------------|
| 1 | 528803 | Gruppendichtung Group gasket |



| Abb. Pict. | Bestell-Nr. Order-No. | Beschreibung Description |
|------------|-----------------------|--------------------------|
| 2 | 528800 | O-Ring O-ring |
| 3 | 528801 | Dichtung Gasket |
| 4 | 528802 | O-Ring O-ring |

Dusche/Shower



| Abb. Pict. | Bestell-Nr. Order-No. | Beschreibung Description |
|------------|-----------------------|---|
| 1 | 529091 | Dusche Shower |
| 2 | 529079 | Siebträgerfeder Filter holder spring |

Siebträgerdichtungen/Filter holder gaskets



| Abb. Pict. | Bestell-Nr. Order-No. | Beschreibung Description |
|------------|-----------------------|--|
| 1 | 528033 | Distanzeinlage, 71 x 58mm Shirn gasket, 71 x 58mm |
| 2 | 528065 | Siebträgerdichtung, 72 x 55 x 6mm Shirn gasket, 72 x 55 x 6mm |
| 2 | 528066 | Siebträgerdichtung, 72 x 55 x 7mm Shirn gasket, 72 x 55 x 7mm |

Siebe/Filter



| Abb. Pict. | Bestell-Nr. Order-No. | Beschreibung Description |
|------------|-----------------------|--|
| 1 | 529012 | Sieb, 1 Tasse (6g) Filter, 1 cup (6g) |
| 1 | 529011 | Sieb, 1 Tasse (7g) Filter, 1 cup (7g) |
| 2 | 529014 | Sieb, 2 Tassen (12g) Filter, 2 cups (12g) |
| 2 | 529013 | Sieb, 2 Tassen (14g) Filter, 2 cups (14g) |
| 3 | 529023 | Blindsieb Blindfilter |

Siebträger/Filter holder



| Abb. Pict. | Bestell-Nr. Order-No. | Beschreibung Description |
|------------|-----------------------|---|
| 1 | 529204 | Siebträger, M12, 3/8" Filter holder, M12, 3/8" |
| 2 | 529044 | Siebträgergriff, M12 Filter holder handle, M12 |



| Abb. Pict. | Bestell-Nr. Order-No. | Beschreibung Description |
|------------|-----------------------|---|
| 1 | 529205 | Siebträger, M10, 3/8" Filter holder, M10, 3/8" |
| 2 | 529053 | Siebträgergriff, M10 Filter holder handle, M10 |

Ausläufe/Spouts



| Abb. Pict. | Bestell-Nr. Order-No. | Beschreibung Description |
|------------|-----------------------|--|
| 1 | 529004 | 3/8", 1 Weg, gebogen/geschlossen 3/8", 1 way, curved/closed |
| 2 | 529007 | 3/8", 2 Wege, Abstand 55mm/kurz 3/8", 2 ways, distance 55mm/short |